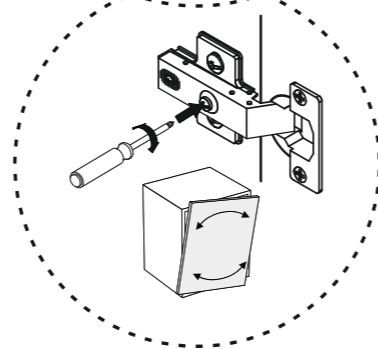
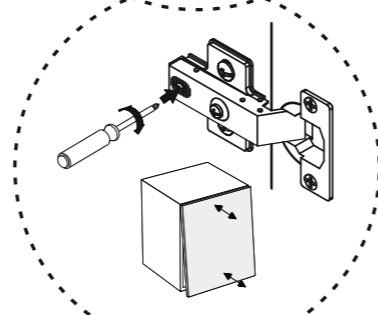
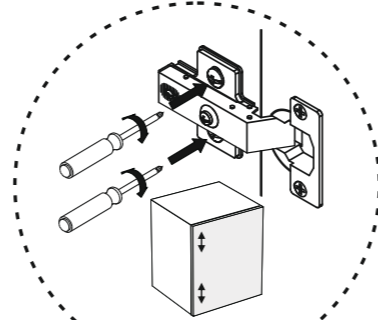
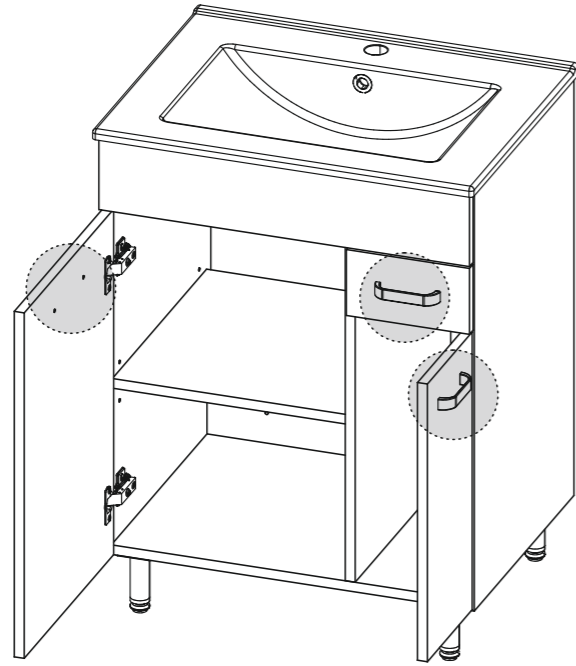
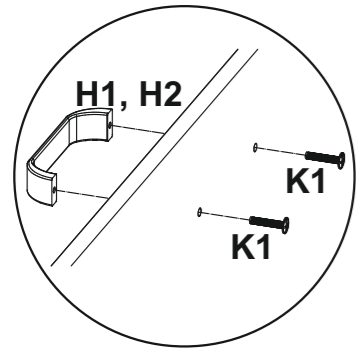
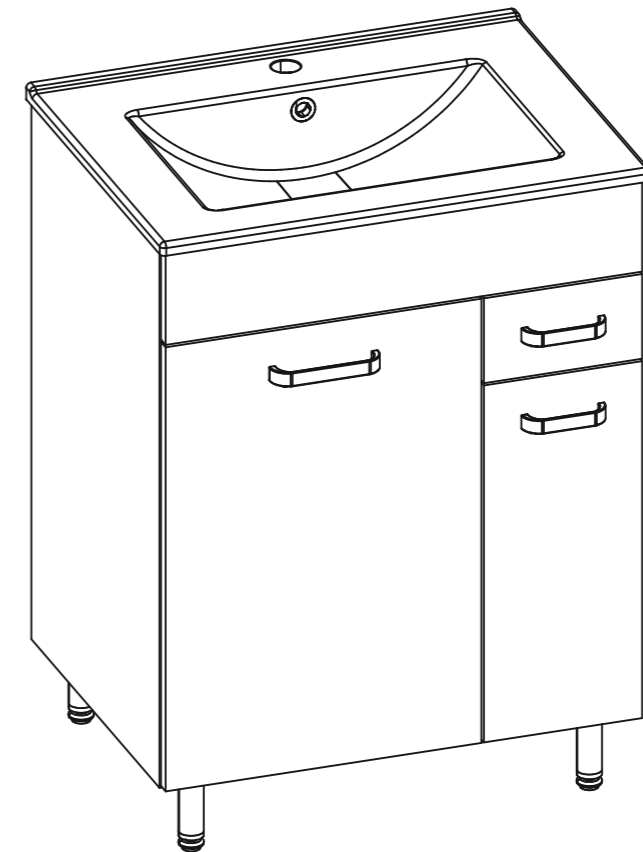
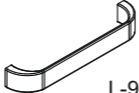
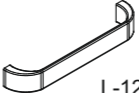






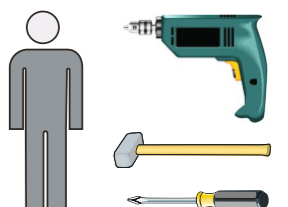
6



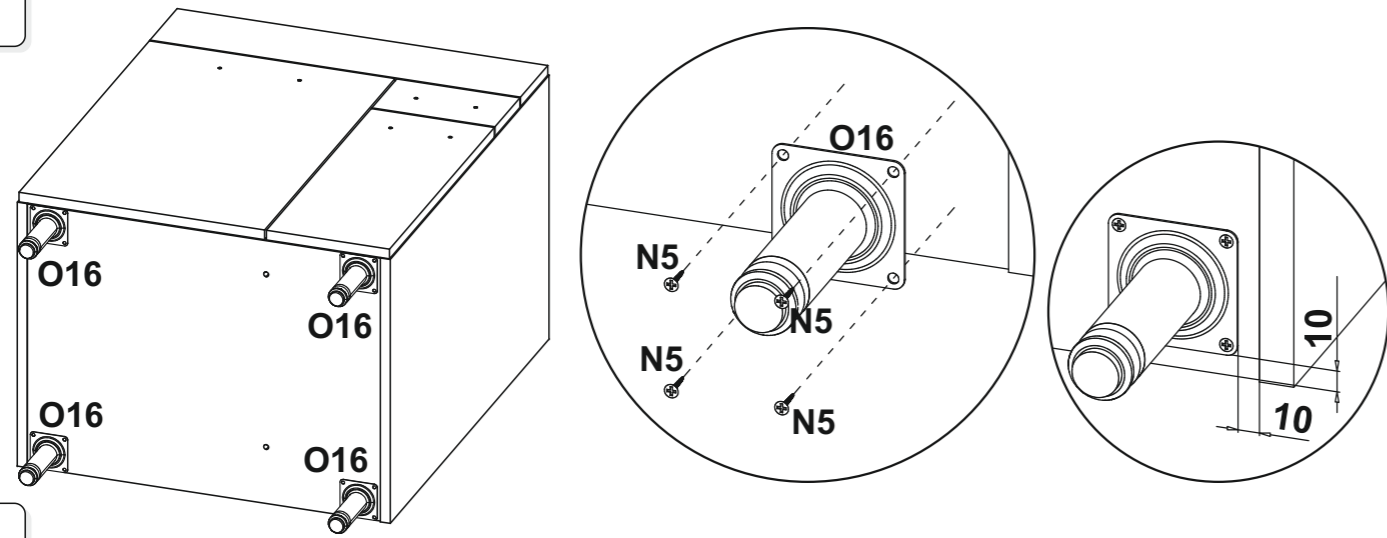
2D-1S NN



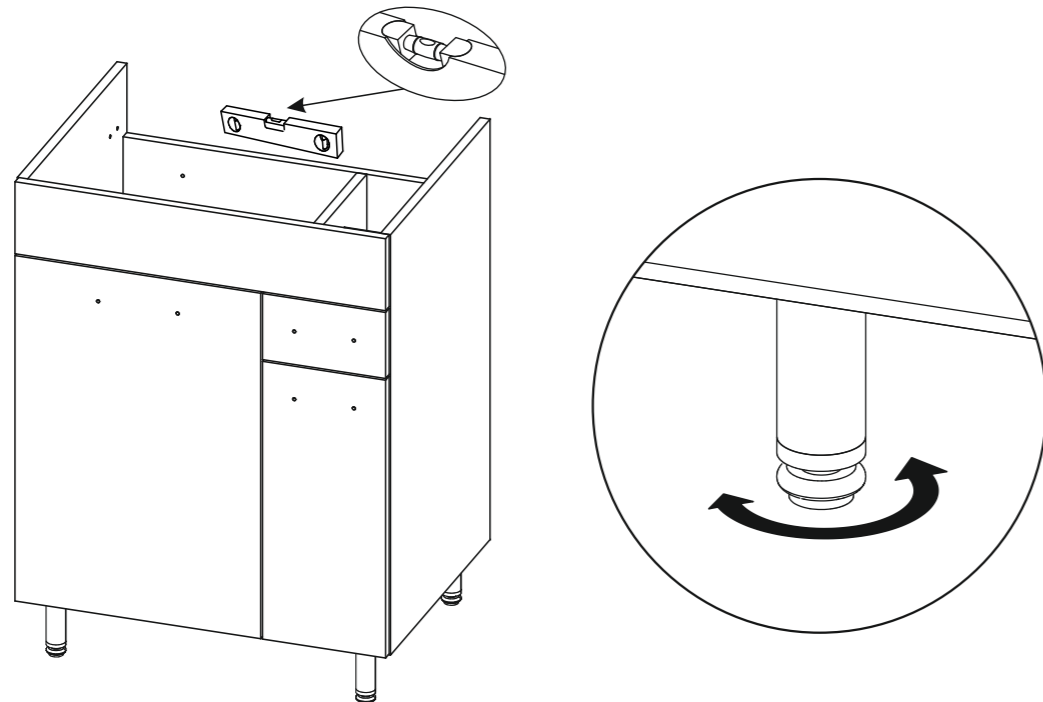
H1  L-96 x 2	H2  L-128 x 1	K1  x 6
P0  x 8	O16  x 4	N5  US3,5x16 x 16



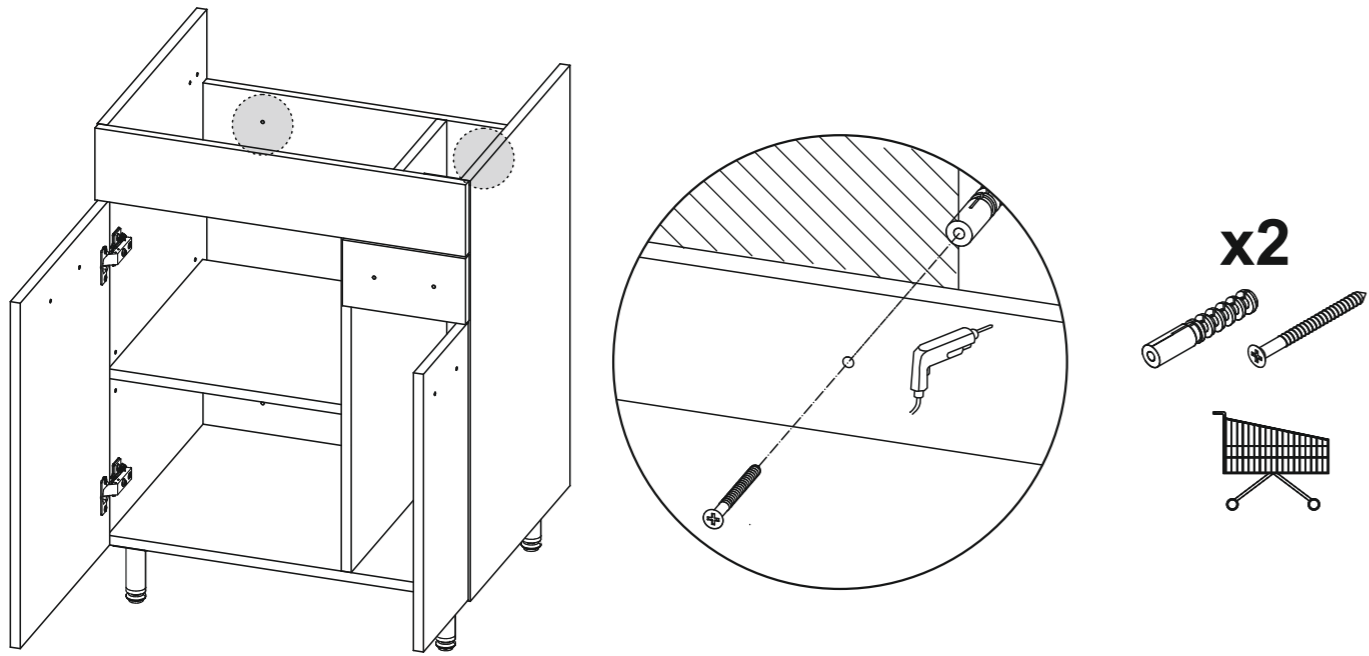
1



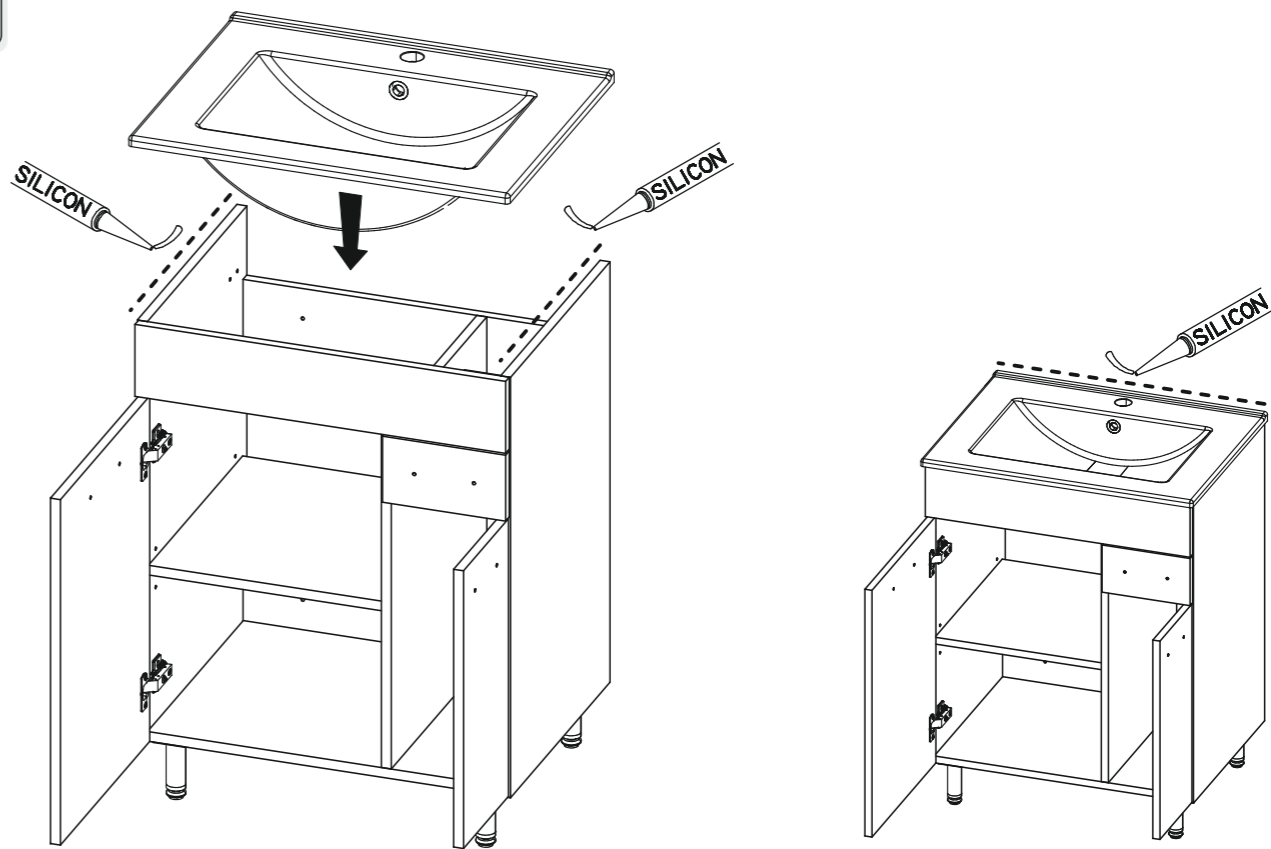
2



3



4



5

