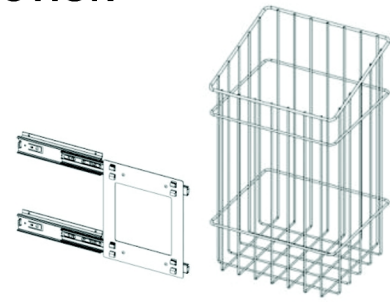


# BATHROOM BASKET – INSTALLATION INSTRUCTION

## Packing includes:

- 8 pcs ball-headed screws 4,0 x 12 mm
- 1 pc frame (incl. elevation fillets integrated and ball bearing slides)
- 1 pc basket



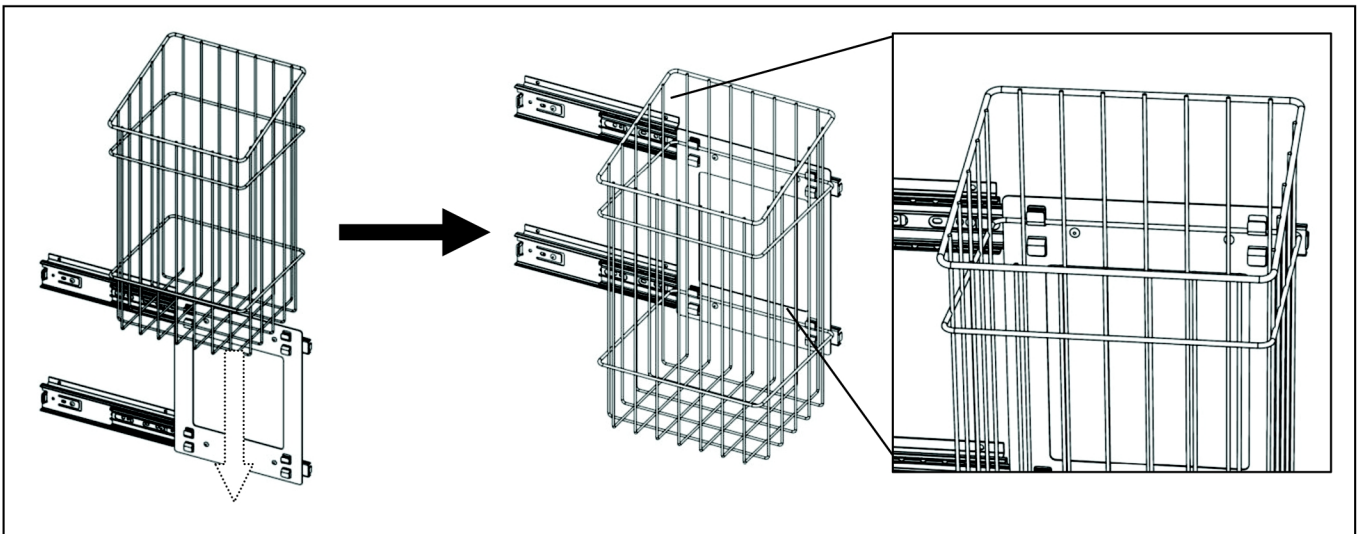
Frame

Basket

## Installation:

1. Choose the side of the cabinet, left or right, where you want to install the bathroom basket system. The frame is symmetric, so by turning it upside down, it can be fixed to another side of the cabinet. Before fixing, make sure that the frame glides to right direction, that is outside from the cabinet.
2. Place the basket in to frame according to picture 1. Then fit the system in the cabinet. Note! The highest side of the basket is towards to the frame.
3. Mark the right fixing height and then remove the basket from the frame.
4. Fit the frame into cabinet and mark the right fixing depth (see picture 2, recommendation  $x = 2$  cm)
- Note! Make sure the length of the screws are suitable to thickness of the cabinet side before fixing.
5. Fix the upper slide with few screws and after that the lower slide. If the frame doesn't glide smoothly, unfix the lower slide and fix it again in corrected position.
6. Pull out the frame from cabinet, place the basket and check the functionality of the system.
7. Fix the rest of the screws.

**Picture 1** –Placing the basket to the frame



**Picture 2** – Fixing the frame

