

#pneumatic_automation #industry4.0
#cylinders #hightech
#airtreatment #valves
#distributors #krevolution #ovalcylinders
#compactcylinders #spoolvalves #uniclamps
#automotive #powerclamps
#blueclamp #essentialmultipin

#innovation_2019

#clampingtechnology #univergroup
#compactevolution #gr8 #eclamp
#modular_tooling_system #electricautomation
#pinunits #pinclamps #research
#powerpivot #gripperunits #epivot
#handling #knowhow #innovation
#univer #smartcylinders
#worldwide

ESSENTIAL multipin

New ESSENTIAL multipin manifolds

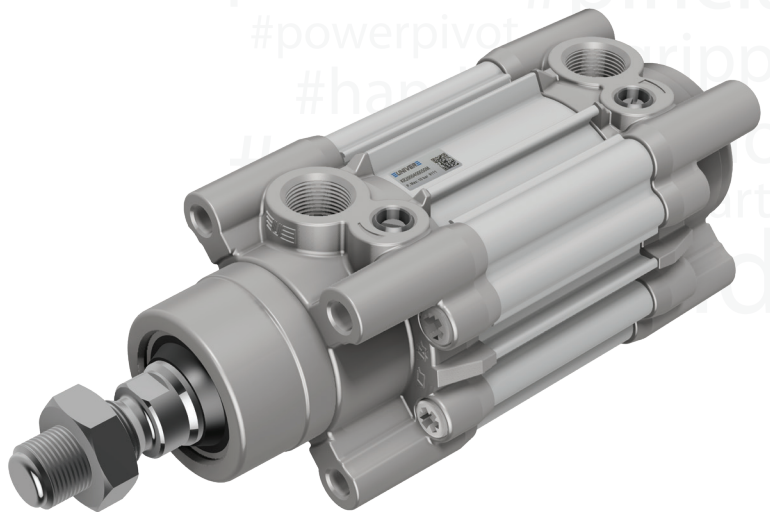
- Plug & Play solution
- Simplified design and reliable construction
- Anodized aluminium sub-base
- Multipin Configuration
Ready-to-use up to 24 signals
- Integrated LED indicator
- User configurable
With monostable and bistable valves



KRevolution ISO 1552

New ISO 1552 cylinders

- Innovative end-cap design
- Innovative tube/end-cap fixing system
- Innovative tube design
Integrated grooves for recessed sensors on 3 sides
- Complete range
Ø 32-40-50-63-80-100
- Strong and lightweight
Aluminium end-caps, piston and tube
- Silent
Pneumatic cushionings and elastic shock-absorbers standard supplied



UNICLAMP next generation

The new clamping technology

- Irreversible
- Adjustable opening angle
 0 ÷ 135°
- Integrated compensation
 UNIVER original spring pack technology
- Compact and lightweight
- DF-K new generation sensor
 Full optical
- A unique sensor for the complete range
- IO-Link version
- QR-Code identification
- Standard and NAAMS versions



ePIVOT electric power

New electric power pivots

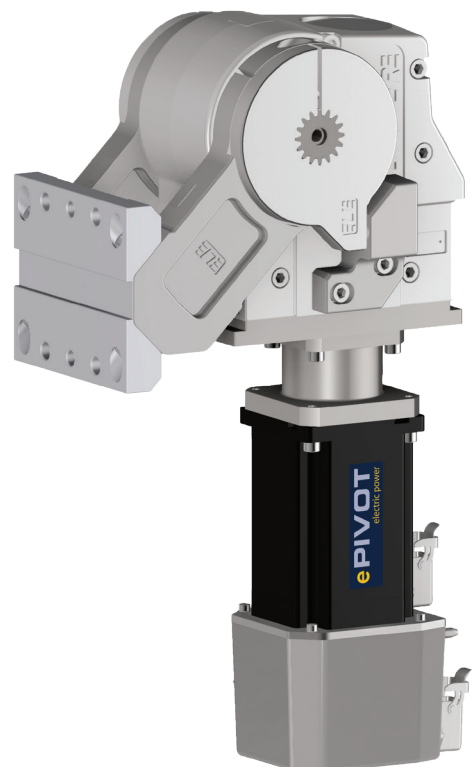
- Plug & Play system
 UNIVER original
- Constant torque 500Nm
- Adjustable pivoting angle
 Up to 360°
- Adjustable table position
- Interchangeable with pneumatic power pivots
- Energy saving
- Remote control
- Compatible with different motors





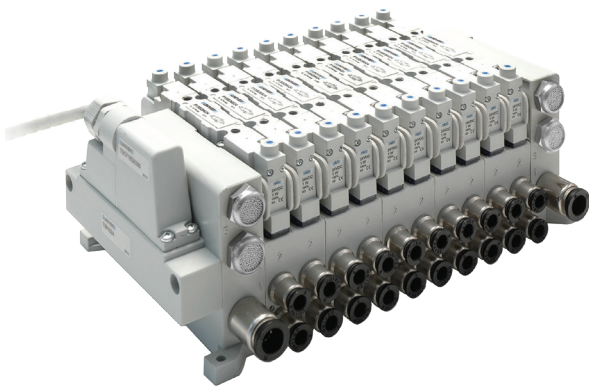






COMPACT evolution

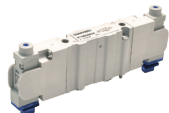
COMPACT evolution distributors



- New generation
Evolution of COMPACT valve series
- New high-performance and low consumption electropilots (0,3W)
- New manual override
Ergonomic position
Double function: impulse and 1-2 positions
- Industry 4.0 ready
- TC modular serial communication system
- IO-Link connection module



P10B



P15B



P22B

HZRE30

Mini proportional electropneumatic regulators



- Linearity $\leq 1\%$
- Repeatability $\leq \pm 0,5\%$
- Hysteresis $\leq 0,5\%$
- Wide adjusting range
- M8 in-line and 90° connectors
- Manifold version
Available upon request



HZRE5



Proportional regulators



Product line "Simple & Reliable"

- 3 sizes available
- High visibility LED display
- Low consumption
- Aluminium body
- User-interface integrated buttons
- M12 connector

DF-MS/DF-MA

Cylinder position sensors



- Continuous detection of the cylinder stroke
- Available with analog and IO-Link output
- Wide detection range
- Repeatability 0,1mm
- Direct assembly in cylinder sensor grooves on KD, KL, RP, RM, RO, RN, RS, RQ, OV and W cylinder series



DF-MS

IO-Link upon request
Detection range up to 250mm



DF-MA

IO-Link standard supplied
Detection range up to 1000mm

TCXLK



IO-Link communication nodes



- IO-Link 1.1 Class B or Class A
- Short-circuit protection
- Up to 24 coils connection
- Open-circuit coil diagnostics
- Overload diagnostics
- Missing power diagnostics
- Under voltage diagnostics

JBS/JBV



Guided compact cylinders



Product line "Simple & Reliable"

- Pneumatic compact cylinder with integrated guide
- Strong and reliable construction
- Bushing or ball-bearing guides
- Recessed sensors
- Wide range of diameters
Ø16-20-25-32-40-50-63

Air saving clamps



AIR SAVING up to **40%**

- Low air consumption
Up to 40% air saving
- Same clamping force as market standard models
- Irreversible, adjustable, lightweight
- Integrated compensation
UNIVER original spring pack technology
- IO-Link version
- QR-Code identification
- Standard and NAAMS versions
- DF-K new generation sensor
Full optical

USP/USS

Standard and High compensation pin clamps



- New design
- Irreversible
UNIVER original toggle joint system
- Integrated compensation
Up to 2,5mm
- High compensation version
Up to 6mm
- Double metal scraper
- Possibility to choose the hook orientation
0 ÷ 180°
- DF-K new generation sensor
Full optical



Industrial Automation

UNIVER S.p.A.

Headquarters

20128 **Milano**
Via Eraclito, 31
Tel. +39 02 25298.1
Fax +39 02 2575254
info@univer-group.com
www.univer-group.com

UNIVER SERVICE S.r.l.

Headquarters

20128 **Milano**
Via Empedocle, 20
Tel. +39 02 25298.1
Fax +39 02 25298370
universervice@universervice.it
www.universervice.it

Branch Offices

LOMBARDIA

20099 - Sesto San Giovanni **Milano**
Via G. di Vittorio, 307/20
Tel. +39 02 26261304
Fax +39 02 24300375
universervice@universervice.it

PIEMONTE/LIGURIA/VALLE D'AOSTA

10071 Borgaro Torinese **Torino**
Via Veneto, 18
Tel. +39 011 4501871
Fax +39 011 4502898
torino@universervice.it

VENETO/FRIULI VENEZIA-GIULIA TRENTINO-ALTO ADIGE

30030 Vigonovo **Venezia**
Via Prima strada 16/A - Loc. Galta
Tel. +39 049 9834140
Fax +39 049 9833972
vigonovo@universervice.it

EMILIA ROMAGNA

40069 Zola Predosa **Bologna**
Via Balzani, 5
Tel. +39 051 753907
Fax +39 051 6184751
bologna@universervice.it

CENTRO/SUD

40069 Zola Predosa **Bologna**
Via Balzani, 5
Tel. +39 051 753907
Fax +39 051 6184751
bologna@universervice.it

UNIVER DO BRASIL Ltda

BRAZIL - 13474-764
Americana São Paulo
Rua do Polyester, 29
Distrito Industrial Abdo Najar
Tel. +55 19 3113-9400
Fax +55 19 3113-9405
atendimento@univer.com.br

UNIVER CHINA

CHINA - Shanghai
399 Fu Te North Road,
Free Zone, Pudong
info@univer-china.com

UNIVER FRANCE S.a.s.

FRANCE - 68000
Colmar
1, rue Denis Papin
Tel. +33 3 89210900
Fax +33 3 89216850
info@univer-france.fr

UNIVER G.m.b.H.

GERMANY - D-65428
Rüsselsheim
Eisenstraße 51
Tel. +49 6142 408320
Fax +49 6142 4083290
info@univer-gmbh.de

UNIVER NORTH AMERICA

USA - 48312
Sterling Heights - **Michigan**
6620 Cobb Drive
Tel. +1 248 299 0525
Fax +1 248 299 0528
info@univer-group.us

UNIVER POLSKA Sp. z o.o.

POLAND - 25-663
Kielce
ul. K. Olszewskiego 21E
Tel. +48 41 278 72 53
Fax +48 41 278 72 54
univer@univer-group.pl

UNIVER S.L.

SPAIN - 08210
Barbera Del Valles **Barcelona**
Ronda Industria, 26 - 28
Tel. +34 93 7297360
Fax +34 93 7297380
univer@univerweb.com



www.univer-group.com

Distributors worldwide:

Get in touch with UNIVER Sales Department
or visit our website www.univer-group.com